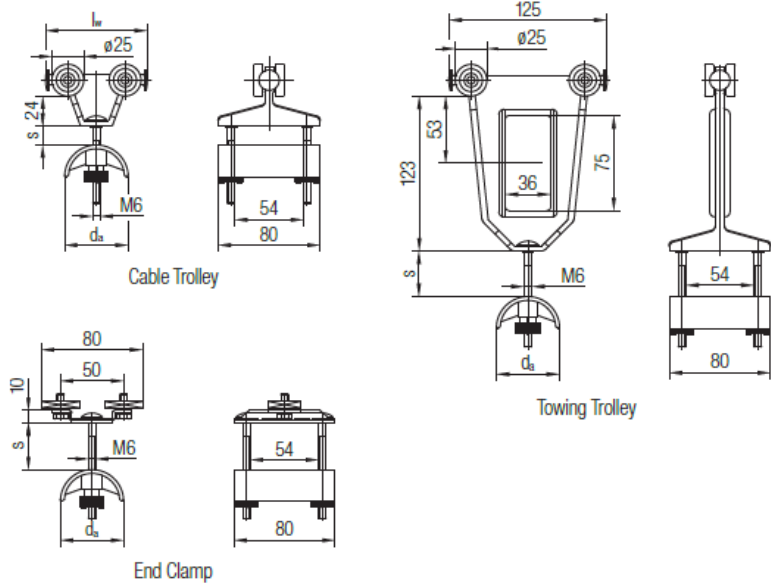


## Plastic Cable Trolleys



### Technical details

- Trolley body and cable supports: plastic
- Hardware: galvanized steel
- Temperature range: -30°C to +60°C



Cable Trolley Order No.	[kg]	Towing Trolley Order No.	[kg]	End Clamp Order No.	[kg]	d <sub>s</sub> [mm]	l <sub>w</sub> [mm]	s [mm]	Max. Load Capacity [kg]	Max. Travel Speed [m/min]	Roller Type
023910	0.11	023915	0.15	023919	0.18	50	80	15	6.3	40	(1)
023943	0.12	023958	0.16	023269*	0.21	50	80	15			
023953	0.13	023958	0.16	023269*	0.21	50	125	36			
023973	0.15	023978	0.18	023279*	0.22	80	125	22	10.0	40	(3)
023941*	0.19	023956*	0.23	023269*	0.21	50	80	15			
023951	0.19	023956*	0.23	023269*	0.21	50	125	36			
023971	0.23	023976	0.25	023279*	0.22	80	125	22			

### Roller type

- (1) Plastic roller and plastic friction bearing
- (2) Plastic roller and bronze friction bearing
- (3) Ball bearing, galvanized

\*Standard range